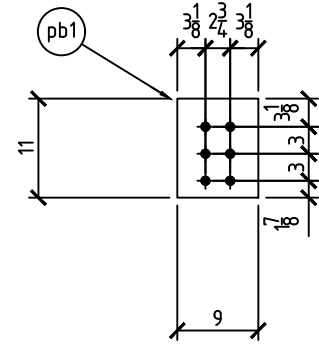
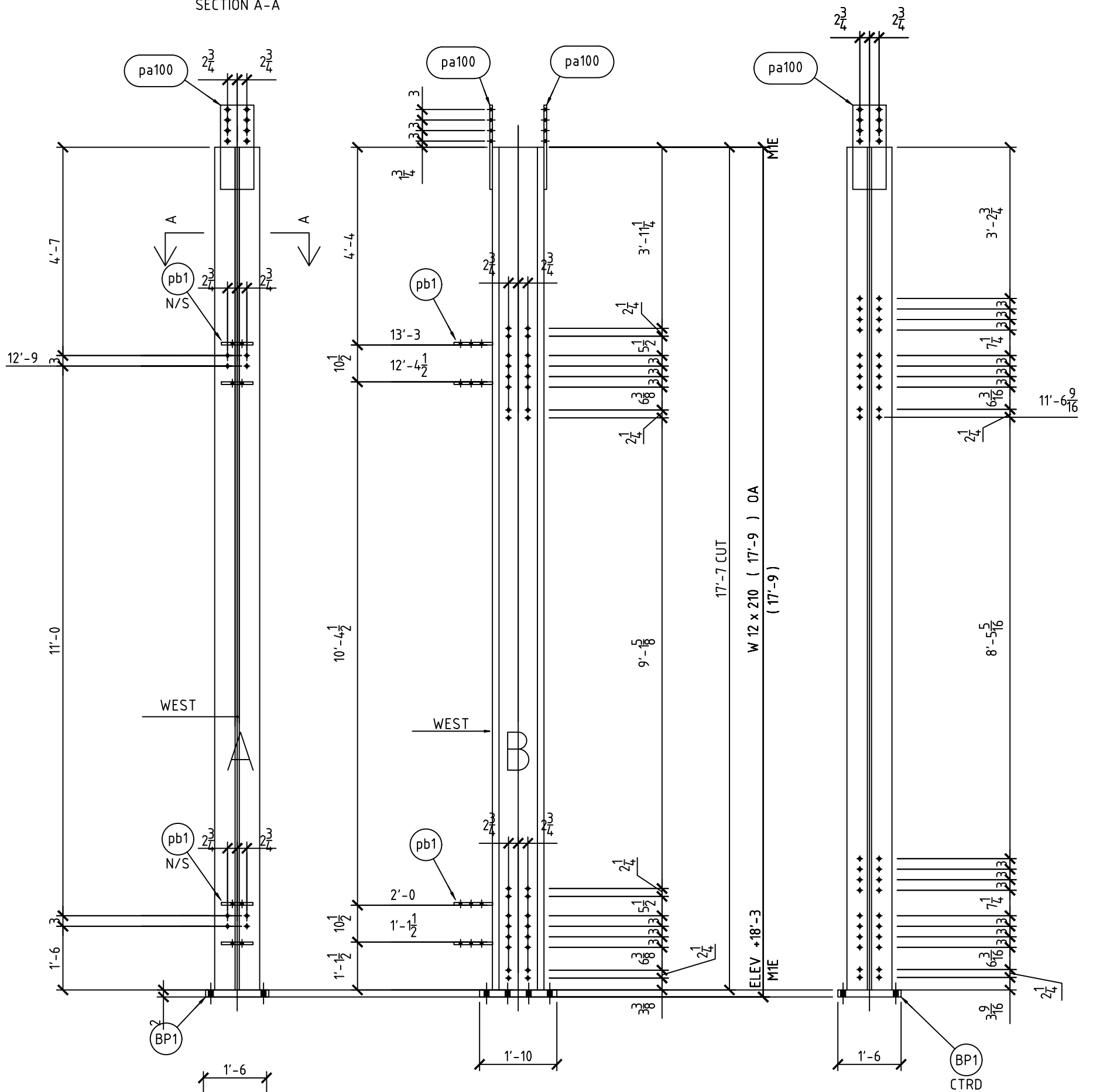


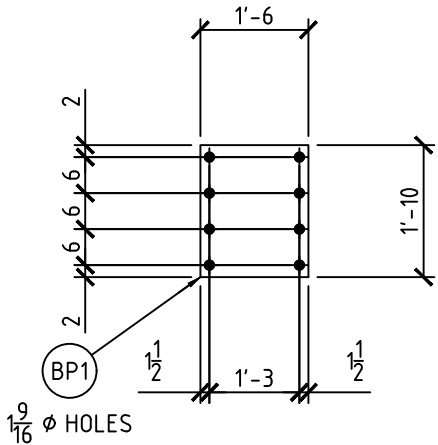
TYPICAL COLUMN ON
11X17 SHEET



SECTION A-A



1 - BEAM MK C-B.1-1(2-3)



Total Mass = 4013 Lb.

pa100	2	PL $\frac{3}{4}$ X 9 $\frac{1}{2}$	2'-0		97
BP1	1	PL 2 X 18	1'-10		224
pb1	4	PL $\frac{3}{4}$ X 9	11		
C-B.1-1(2-3)	1	W 12 x 210	17'-7		3693
ITEM	QTY	DESCRIPTION	LENGTH	REMARK	MASS

APPROVAL		SHOP	
HOLES	13/16 U/NOTED	BOLTS	3/4 A325SC U/NOTED
WELD	70XX	PAINT	NONE
JOB NAME:		DRAWN BV	CHECKED
LOCATION:		SCALE:	
DESCRIPTION: COLUMN B1.1(1-3)		DATE:	
		JOB #	SHEET
			100 △