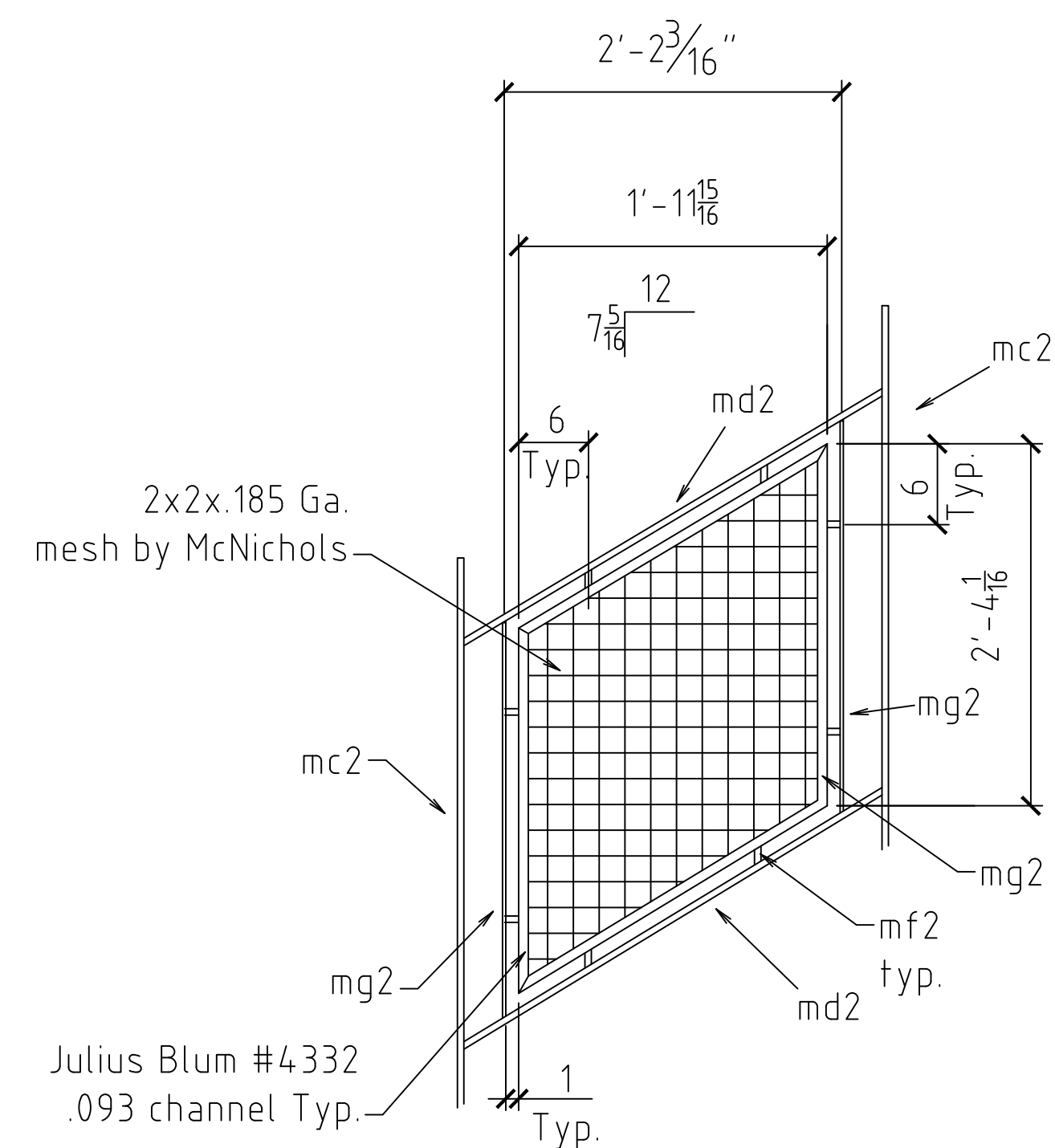


STRINGER ASSEMBLY MK ST2



ITEM	QTY	DESCRIPTION	LENGTH	REMARK
ST2	1	STRINGER ASSEMBLY		
ma2	1	Ts 12x2x <sup>3</sup> / <sub>16</sub>	12'-10 <sup>3</sup> / <sub>16</sub> "	
mb2	1	Ts 12x2x <sup>3</sup> / <sub>16</sub>	7 <sup>7</sup> / <sub>16</sub> "	
aa1	1	L 1 <sup>1</sup> / <sub>2</sub> x 1 <sup>1</sup> / <sub>2</sub> x <sup>3</sup> / <sub>16</sub>	4'-4 <sup>1</sup> / <sub>16</sub> "	
ab1	1	L 3 x 3 x <sup>1</sup> / <sub>4</sub>	3	
ca1	10	PL 1 <sup>1</sup> / <sub>2</sub> x <sup>3</sup> / <sub>16</sub>	1'-6 <sup>1</sup> / <sub>16</sub> "	See sheet ST5
cb1	1	PL 1 <sup>1</sup> / <sub>2</sub> x <sup>3</sup> / <sub>16</sub>	7 <sup>7</sup> / <sub>16</sub> "	See sheet ST5
cc1	1	PL 1 <sup>1</sup> / <sub>2</sub> x <sup>3</sup> / <sub>16</sub>	1'-4"	See sheet ST5
Br2	1	Brackets		See sheet ST5
Br3	1	Brackets		See sheet ST5
Br4	3	Brackets		See sheet ST5
mc2	6	PL 1 <sup>1</sup> / <sub>2</sub> x 1 <sup>1</sup> / <sub>2</sub>	3'-5 <sup>1</sup> / <sub>4</sub> "	
md2	8	PL 1 <sup>1</sup> / <sub>2</sub> x 1 <sup>1</sup> / <sub>2</sub>	3'-2 <sup>1</sup> / <sub>4</sub> "	
mg2	6	PL 1 <sup>1</sup> / <sub>2</sub> x 1 <sup>1</sup> / <sub>2</sub>	2'-6 <sup>7</sup> / <sub>8</sub> "	
mf2	32	Bar 1 <sup>1</sup> / <sub>2</sub>	1 <sup>1</sup> / <sub>2</sub> "	
mj2	1	1 <sup>1</sup> / <sub>2</sub> Pipe	13'-1"	Long
	4	PANELS		
	1	1 <sup>1</sup> / <sub>2</sub> Pipe	16'-0"	Long
	2	END CAPS		

HOLES 13/16 U/NOTED	BOLTS 3/4 A325SC U/NOTED	WELD 70XX	PAINT ONE SHOP COAT RED PRIMER
REV.	DESCRIPTION	BY	DATE
FOR APPROVAL:	TO SHOP:	TO FIELD:	
R & R APPROVAL		AS BUILT:	
JOB NAME:		DRAWN BY: BV	CHECKED BY:
LOCATION:		SCALE: NTS	
		DATE:	
CONTRACTOR:		JOB NUMBER	SHEET
DESCRIPTION: STRINGER DETAIL			ST2