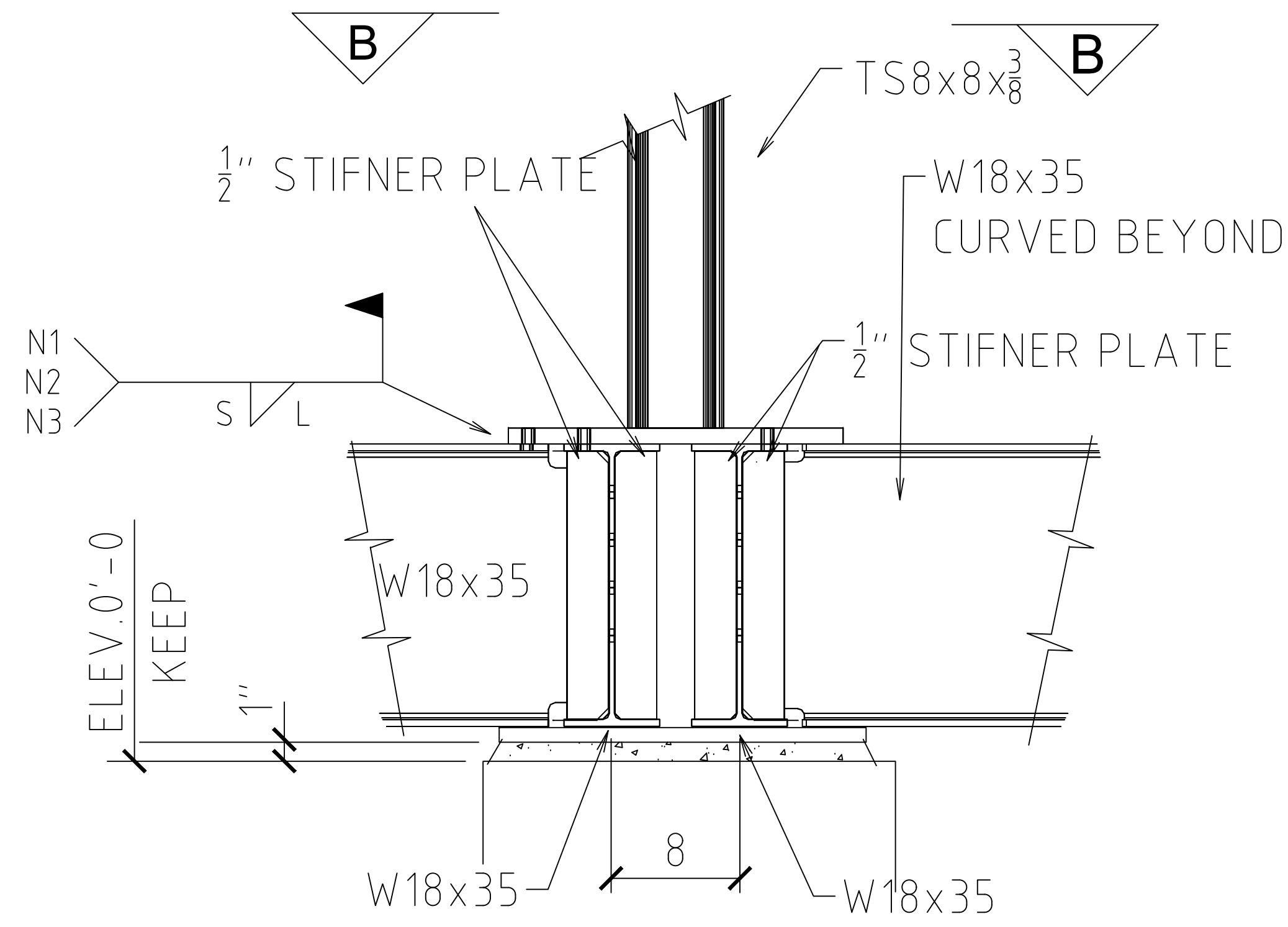
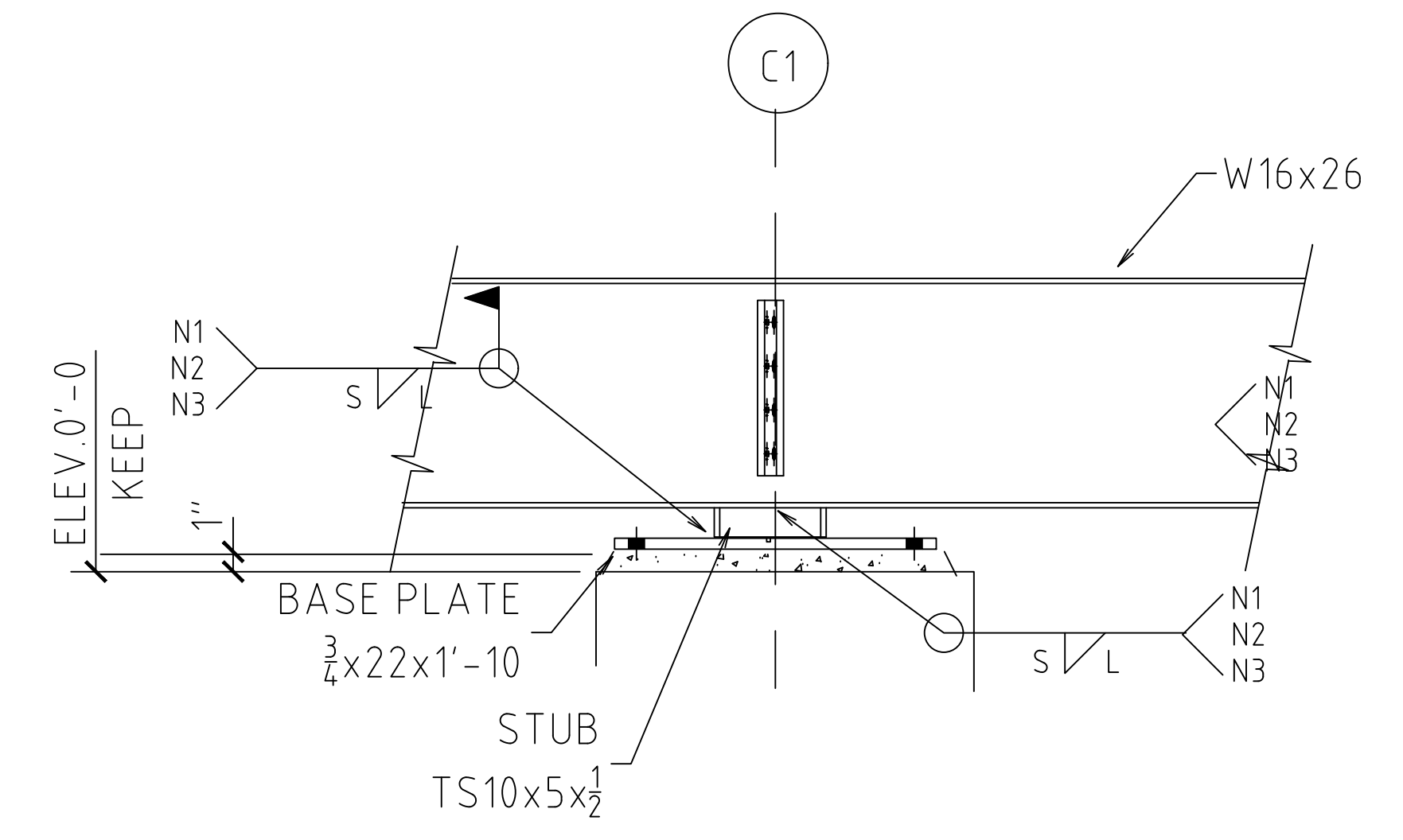


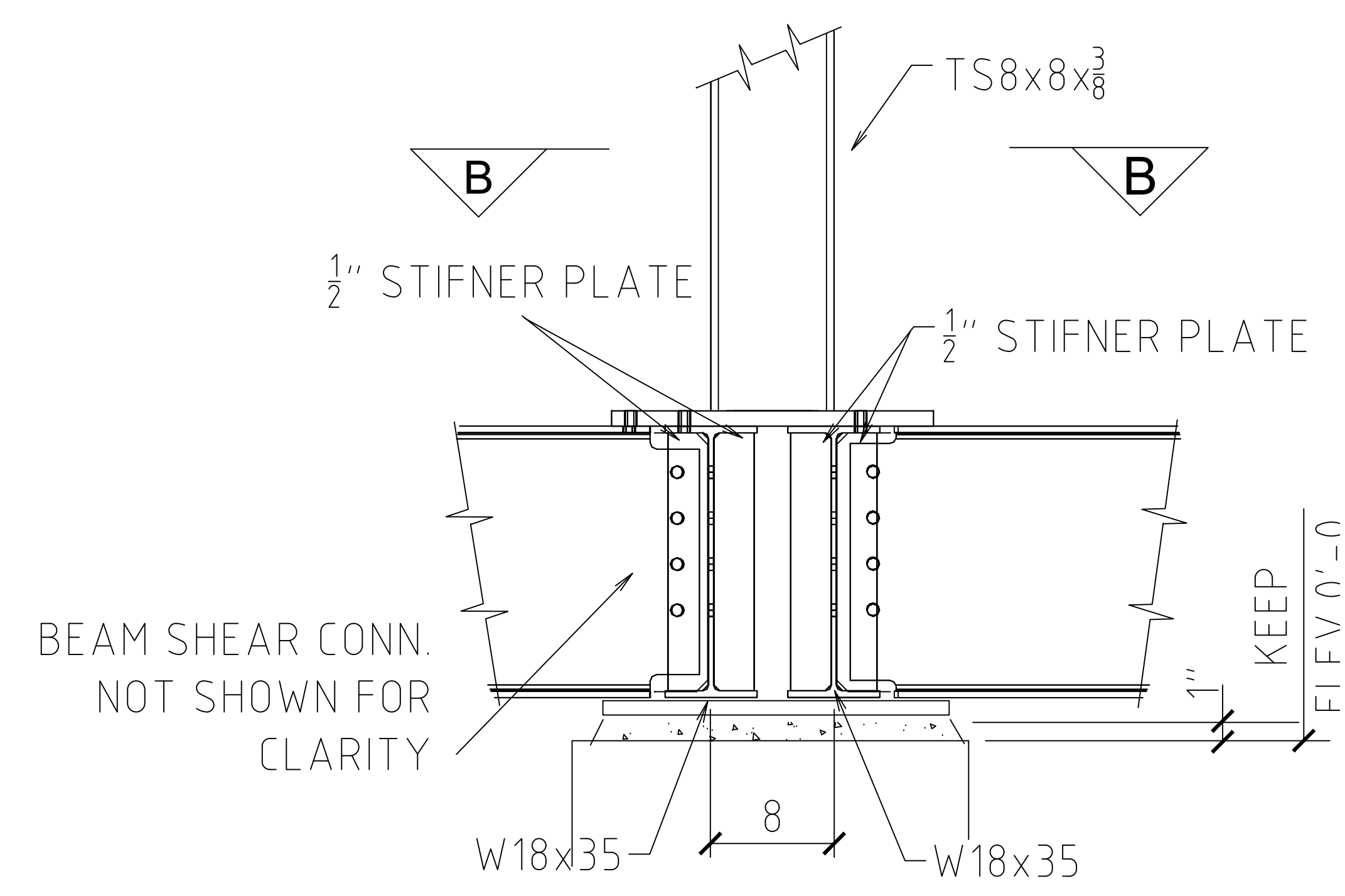
SECT. G-G



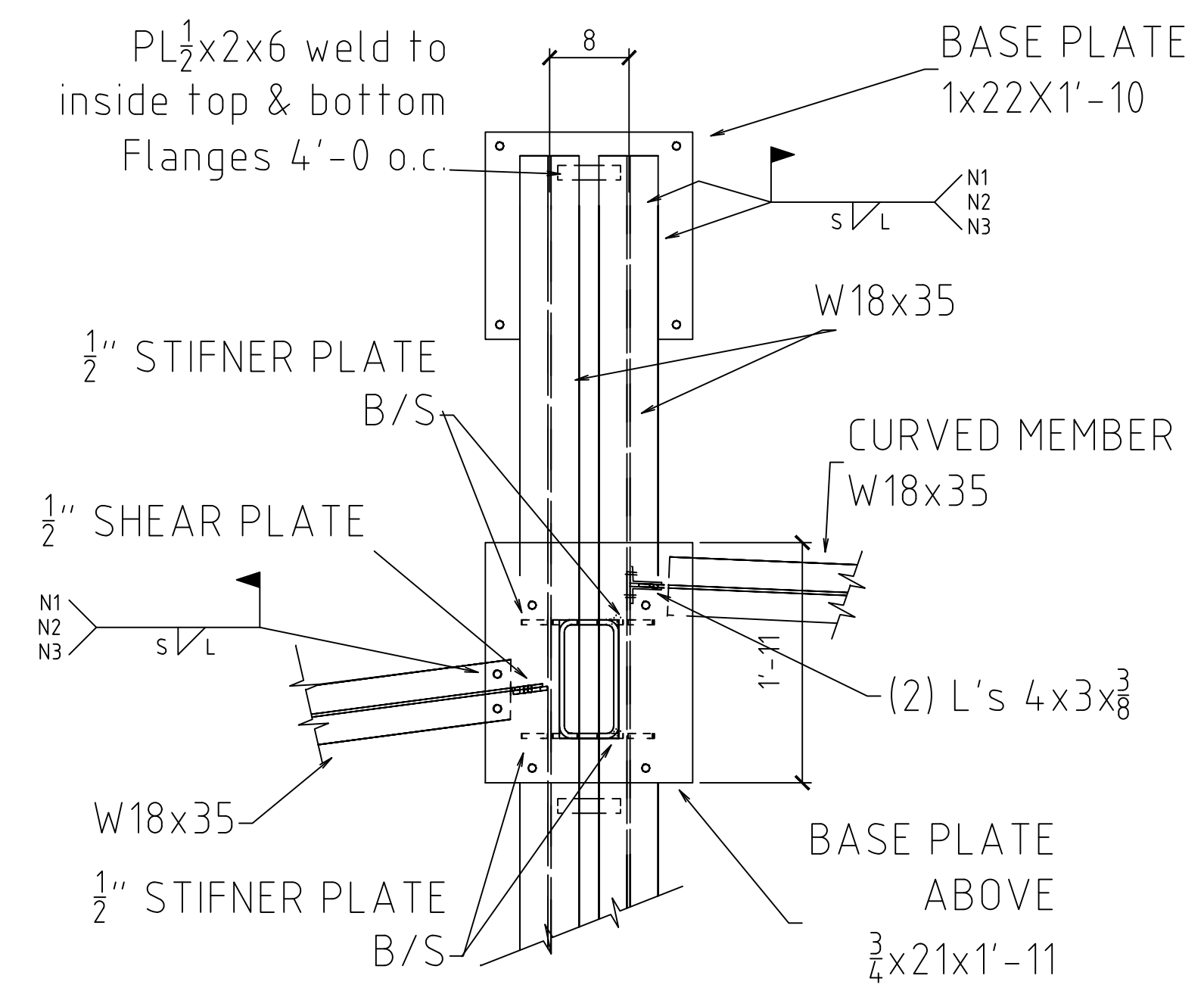
SECT. A-A



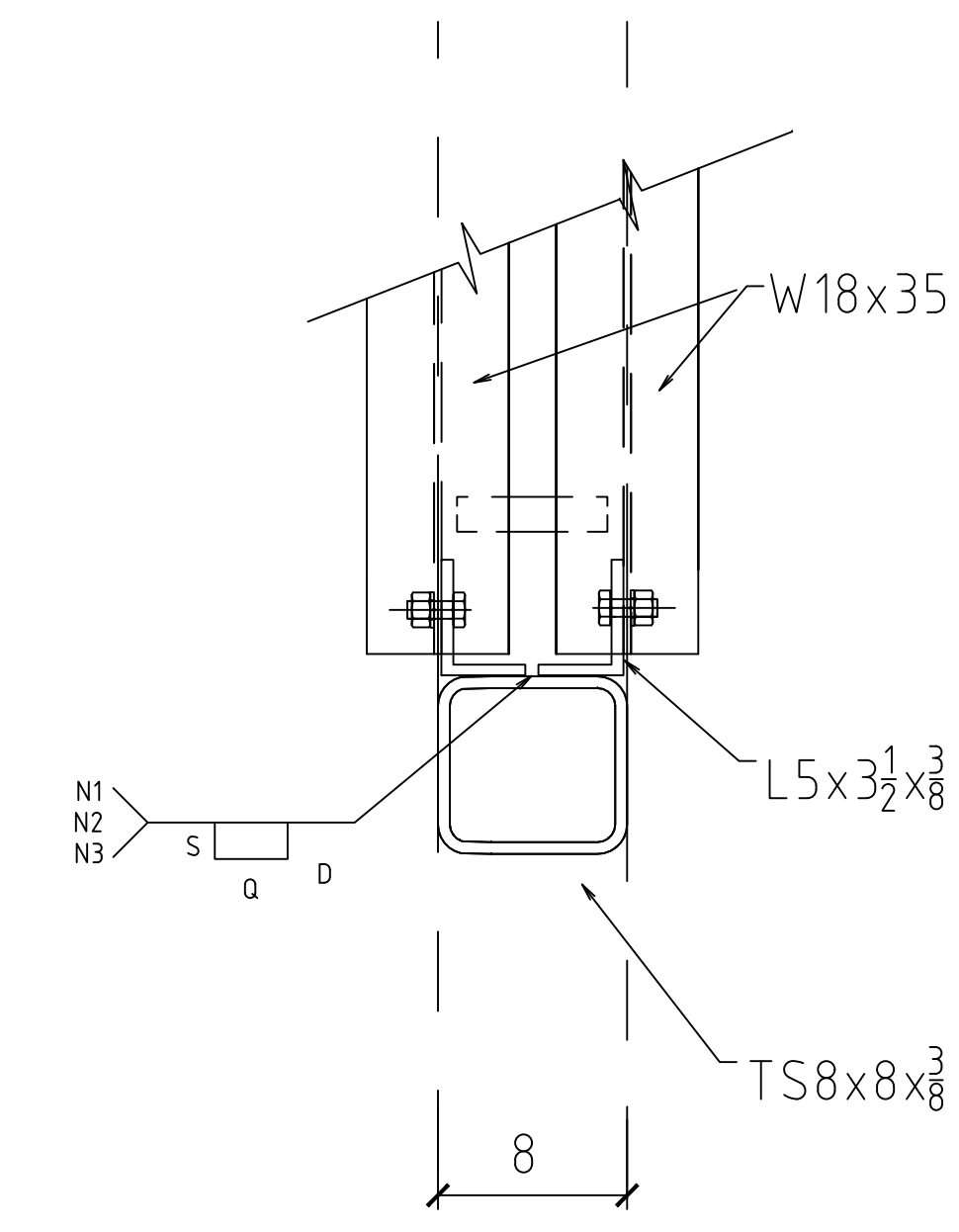
SECT. E-E



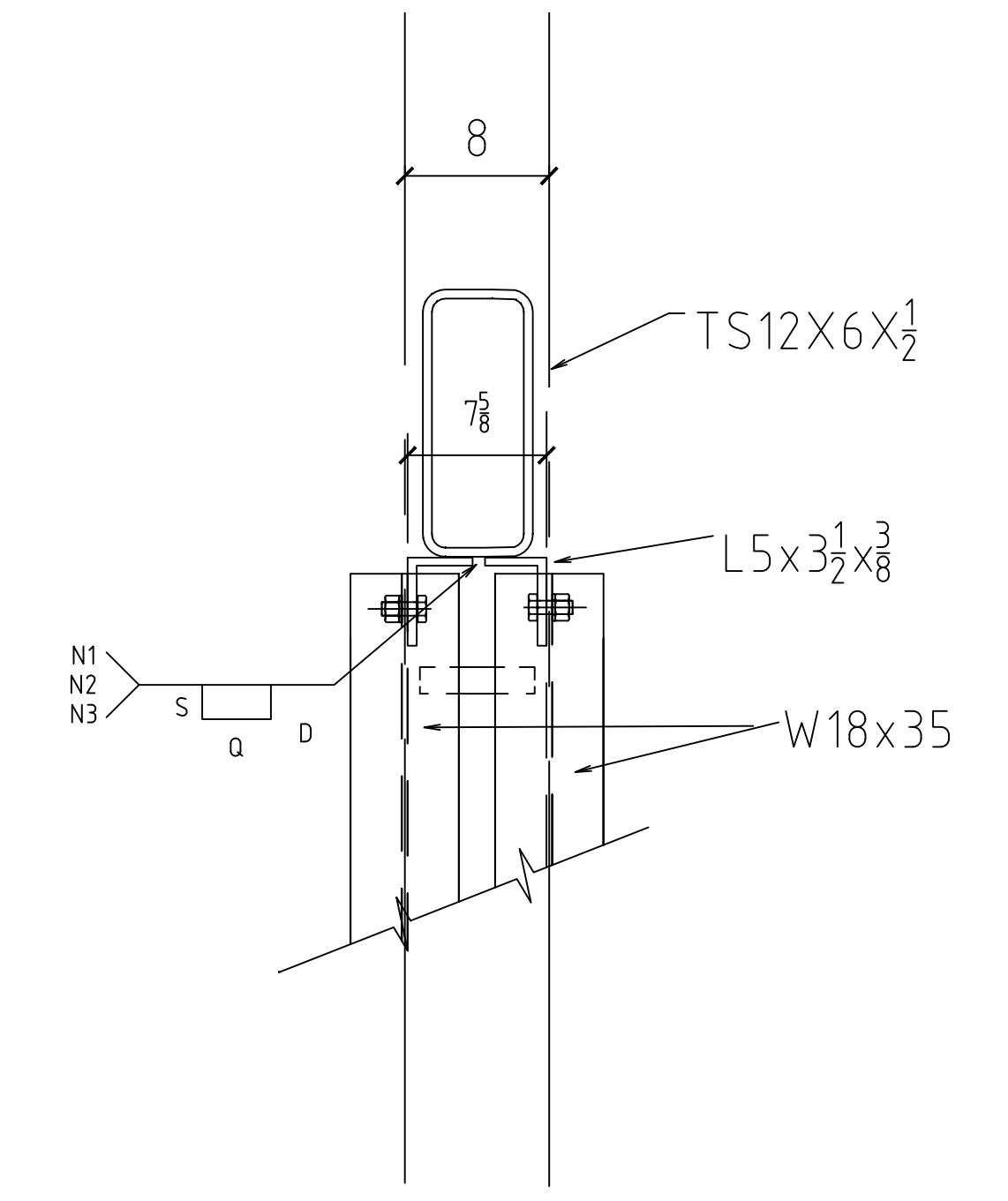
SECT. D-D



SECT. B-B



SECT. C-C



SECT. F-F

Holes	13/16 U/NOTED	BOLTS	3/4 A325SC U/NOTED	WELD	70XX	ALL STEEL HOT DIP GALVANIZED	
REV.		DESCRIPTION		BY		DATE	
FOR APPROVAL:		TO SHOP:		TO FIELD:			
R & R APPROVAL				AS BUILT:			
JOB NAME: OMLSTED CENTER LOCATION: FLUSHING MEADOWS QUEENS, NY				DRAWN BY: BV SCALE: NTS DATE: JOB NUMBER SHEET			
CONTRACTOR:				E5			
DESCRIPTION:							