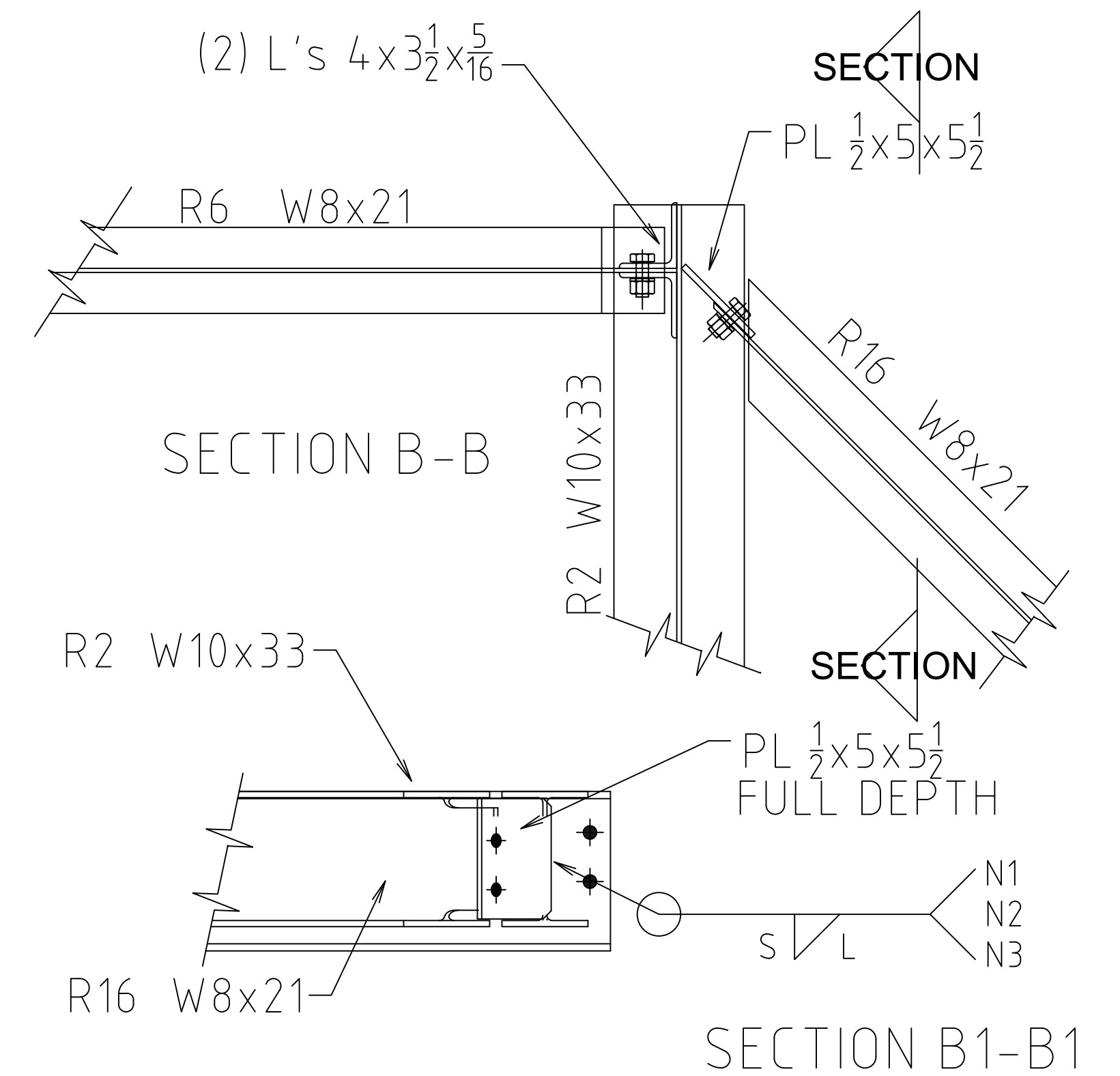
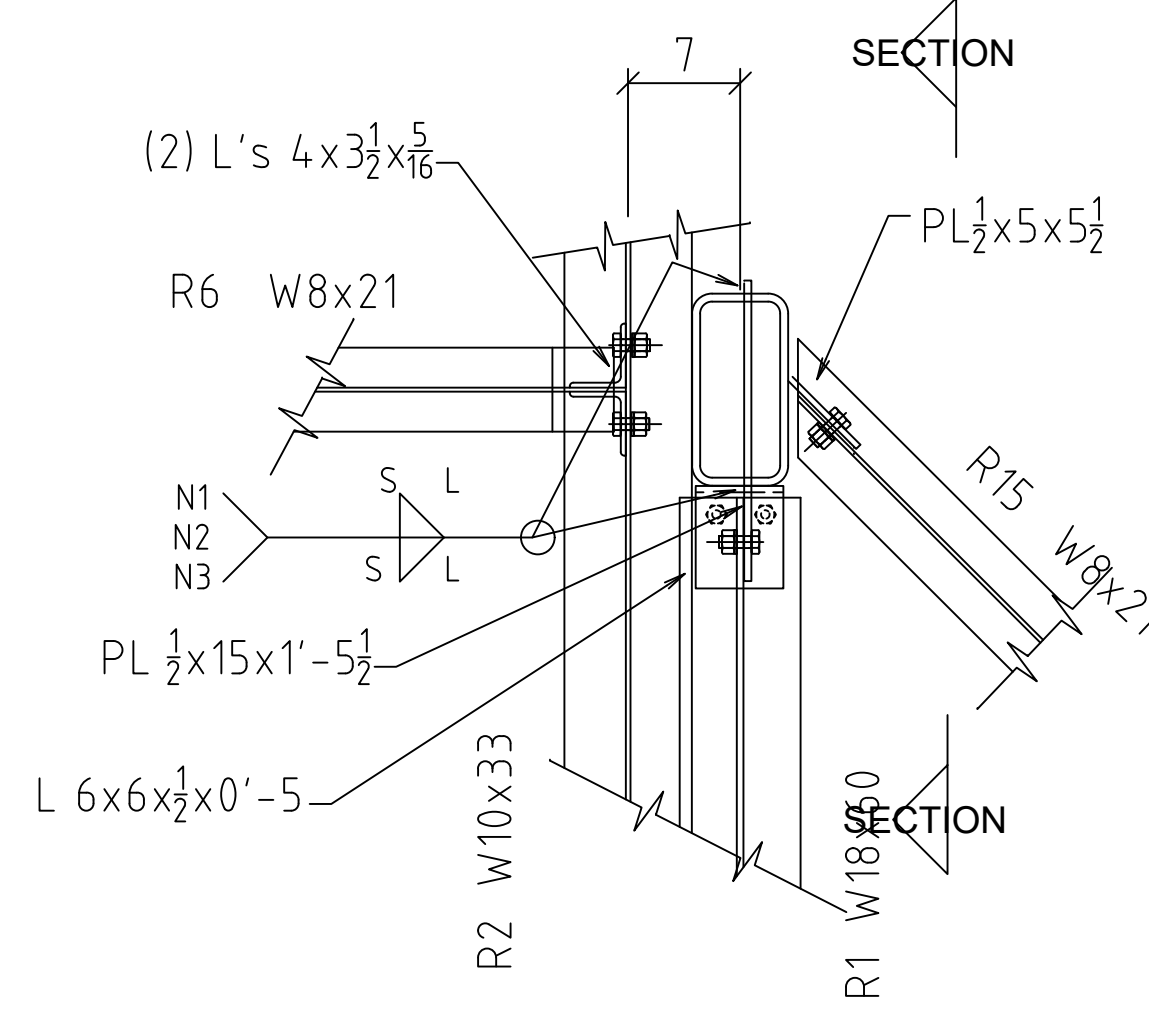
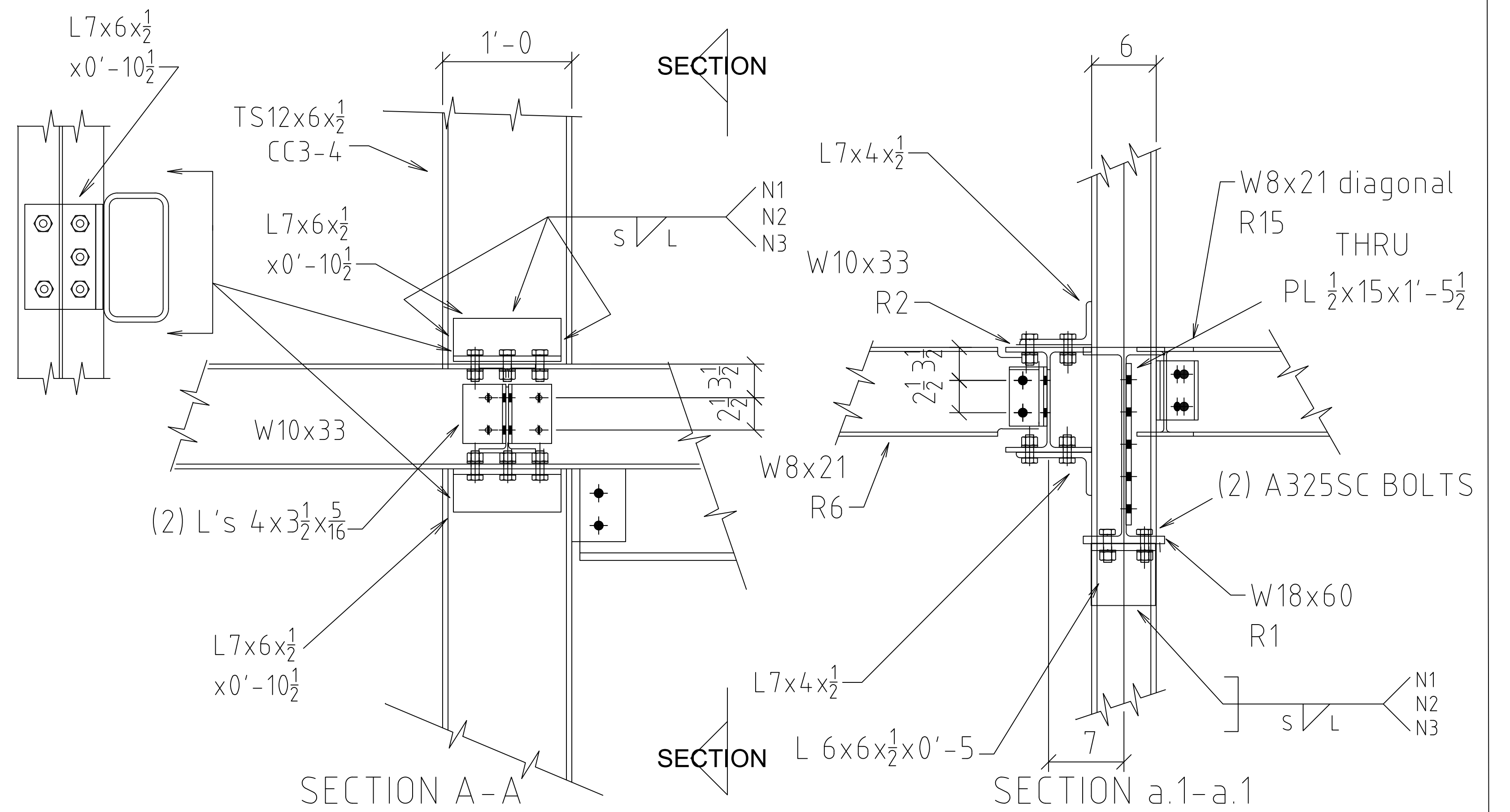


ROOF PLAN

OLD ELEVATION 1.67' = NEW ELEVATION 0'-0"
 ALL ELEV. FROM 0'-0"
 TOP OF STEEL ELEV. +20'-11 1/2" U/NOTED OTHERWISE

×NOTE×
 PERFIX ALL STEEL THIS LEVEL WITH 'R'



HOLES	13/16 U/NOTED	BOLTS	3/4 A325SC U/NOTED	WELD	70XX	ALL STEEL HOT DIP GALVANIZED	
REV.	DESCRIPTION					BY	DATE
FOR APPROVAL:		TO SHOP:		TO FIELD:			
R & R APPROVAL				AS BUILT:			
JOB NAME: OMLSTED CENTER				DRAWN BY: BV		CHECKED BY:	
LOCATION: FLUSHING MEADOWS QUEENS, NY				SCALE: NTS			
				DATE:			
CONTRACTOR:				JOB NUMBER		SHEET	
DESCRIPTION: ROOF Plan						E3	

