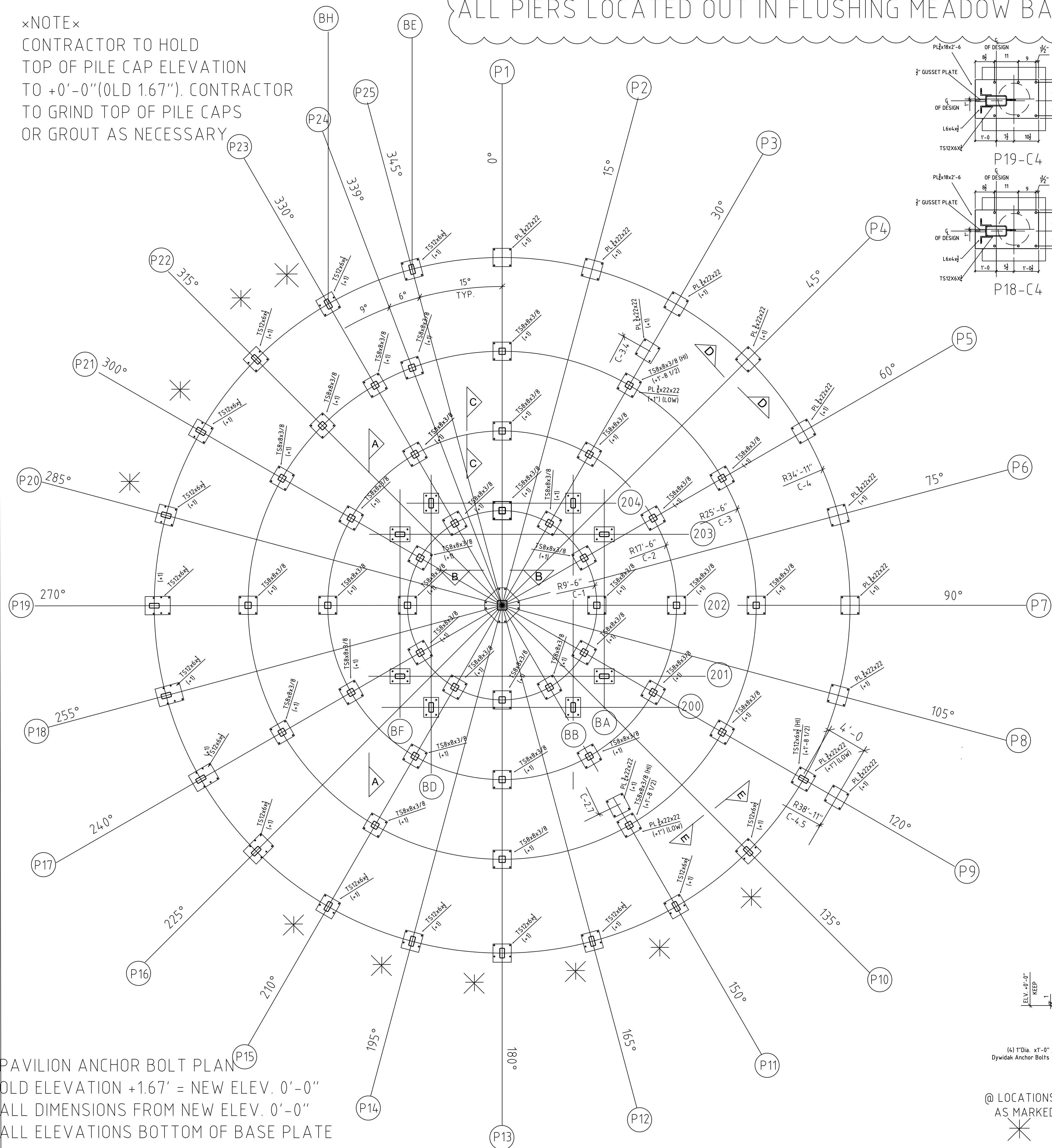
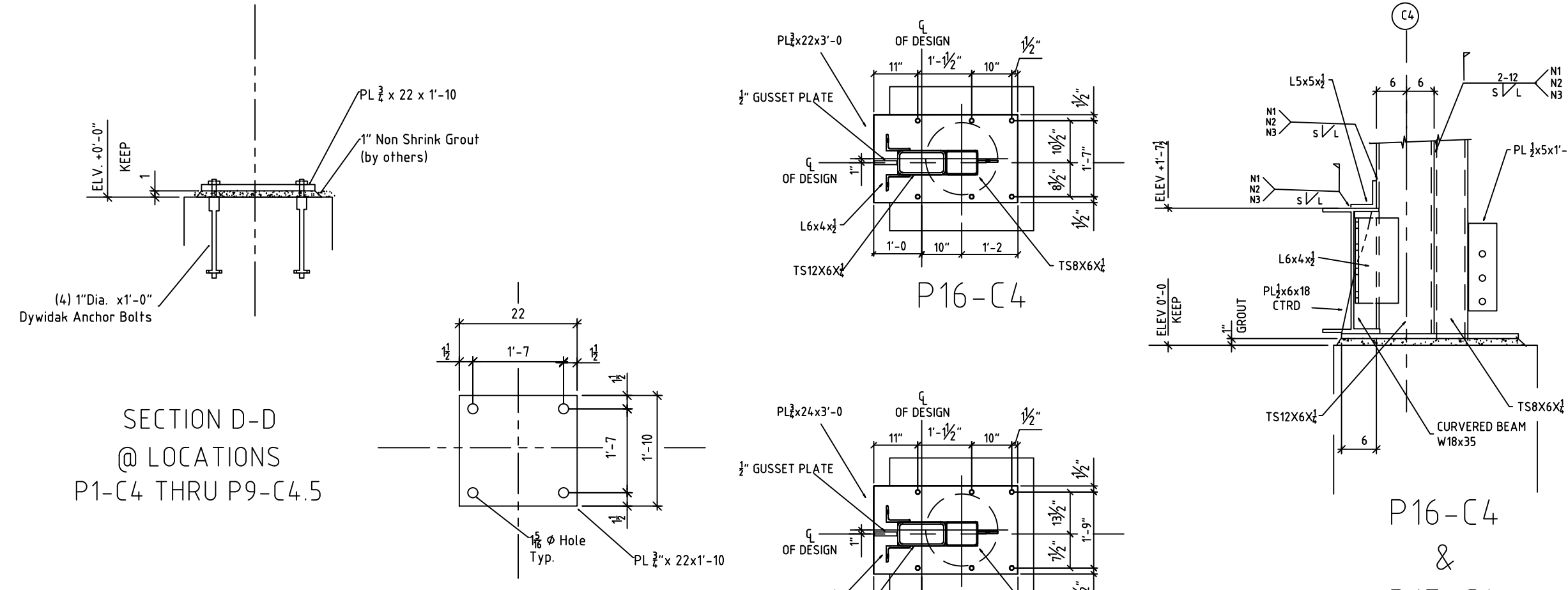
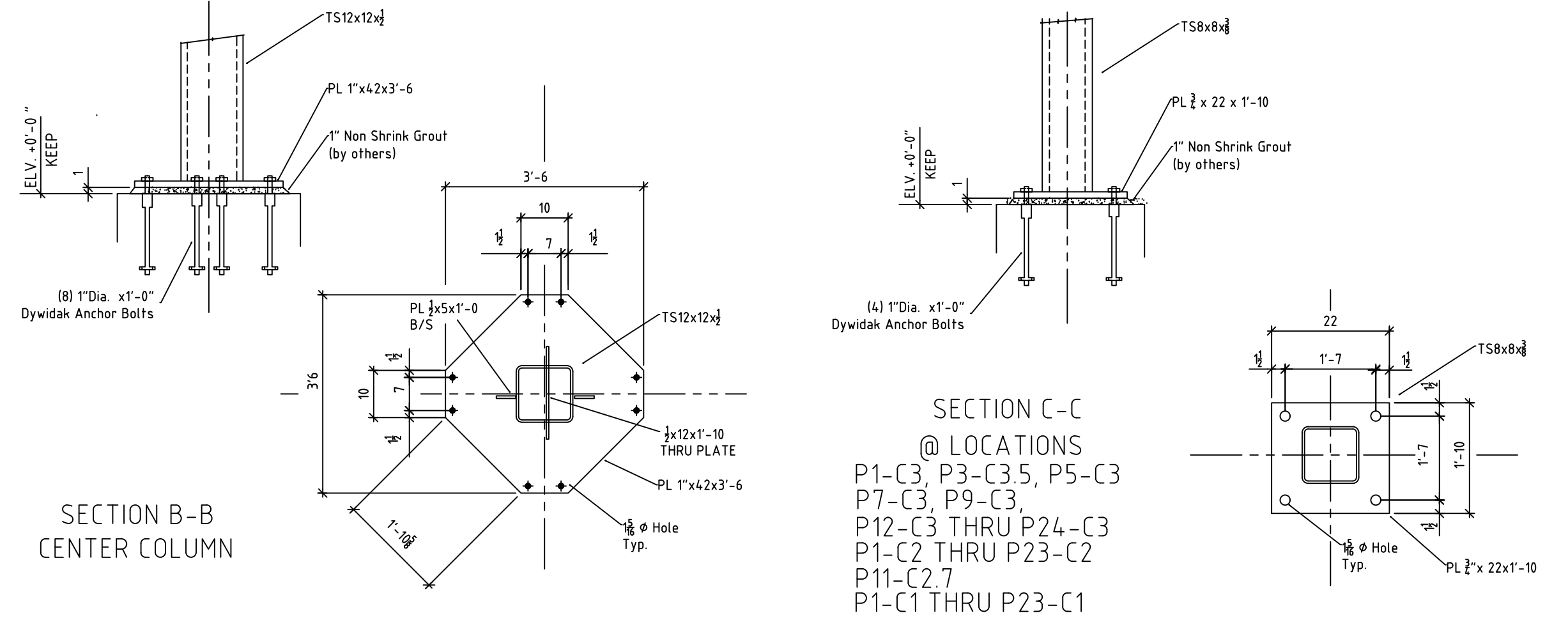
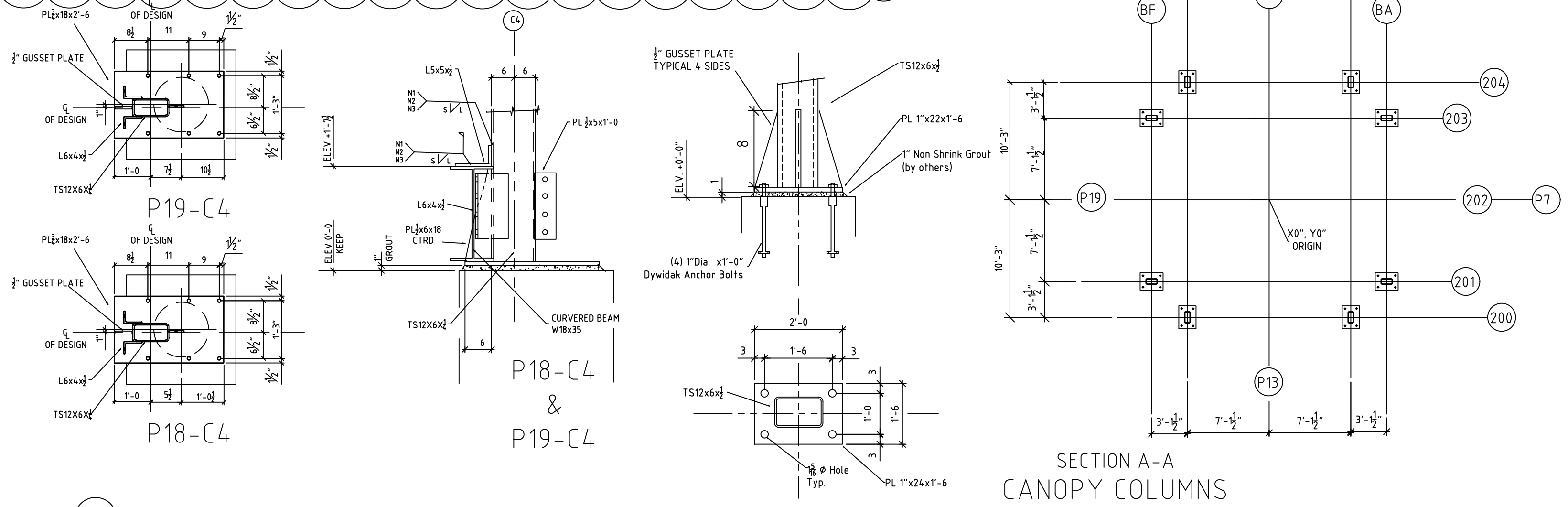


ALL PIERS LOCATED OUT IN FLUSHING MEADOW BAY- SEE NEXT 9 DRAWINGS

×NOTE×
 CONTRACTOR TO HOLD
 TOP OF PILE CAP ELEVATION
 TO +0'-0" (OLD 1.67"). CONTRACTOR
 TO GRIND TOP OF PILE CAPS
 OR GROUT AS NECESSARY



PAVILION ANCHOR BOLT PLAN
 OLD ELEVATION +1.67' = NEW ELEV. 0'-0"
 ALL DIMENSIONS FROM NEW ELEV. 0'-0"
 ALL ELEVATIONS BOTTOM OF BASE PLATE



- RADIUS C1 9'-6"
- C2 17'-6"
- C3 25'-6"
- C4 34'-11"
- C4.5 38'-11"

REV.	DESCRIPTION	BY	DATE
FOR APPROVAL:	TO SHOP:	TO FIELD:	
R & R APPROVAL	AS BUILT:		
JOB NAME: OMLSTED CENTER LOCATION: FLUSHING MEADOWS QUEENS, NY		DRAWN BY: BV	CHECKED BY:
CONTRACTOR:		SCALE: NTS	
DESCRIPTION: ANCHOR BOLT PLAN		DATE:	
		JOB NUMBER	SHEET
		AB1	△